



GAMMA 263 S

crimp to crimp



komax

GAMMA 263 S

The more value a company adds, the more profitable its operations. The Gamma 263 S is an attractive investment for fully automatic wire processing with a high volume output for many reasons: It requires only minimal space and offers fully developed, durable technology in a variety of versions at an affordable price.

Fully automatic machine that is cost effective and reliable

- For one and two-sided crimping and one-sided seal insertion
- Wire cross sections from 0.13 mm² to 2.5 mm², optionally also 4 mm²
- Proven swivel system with optional hold-up unit
- Gentle wire processing
- Economical approach to wearing parts

Compact and user friendly

- Requires minimal space
- Optimally accessible from all sides
- Ergonomic machine table

Productive in no time

- TouchScreen
- TopWin user interface
- Short training and orientation period
- Quick-change systems

Guaranteed quality

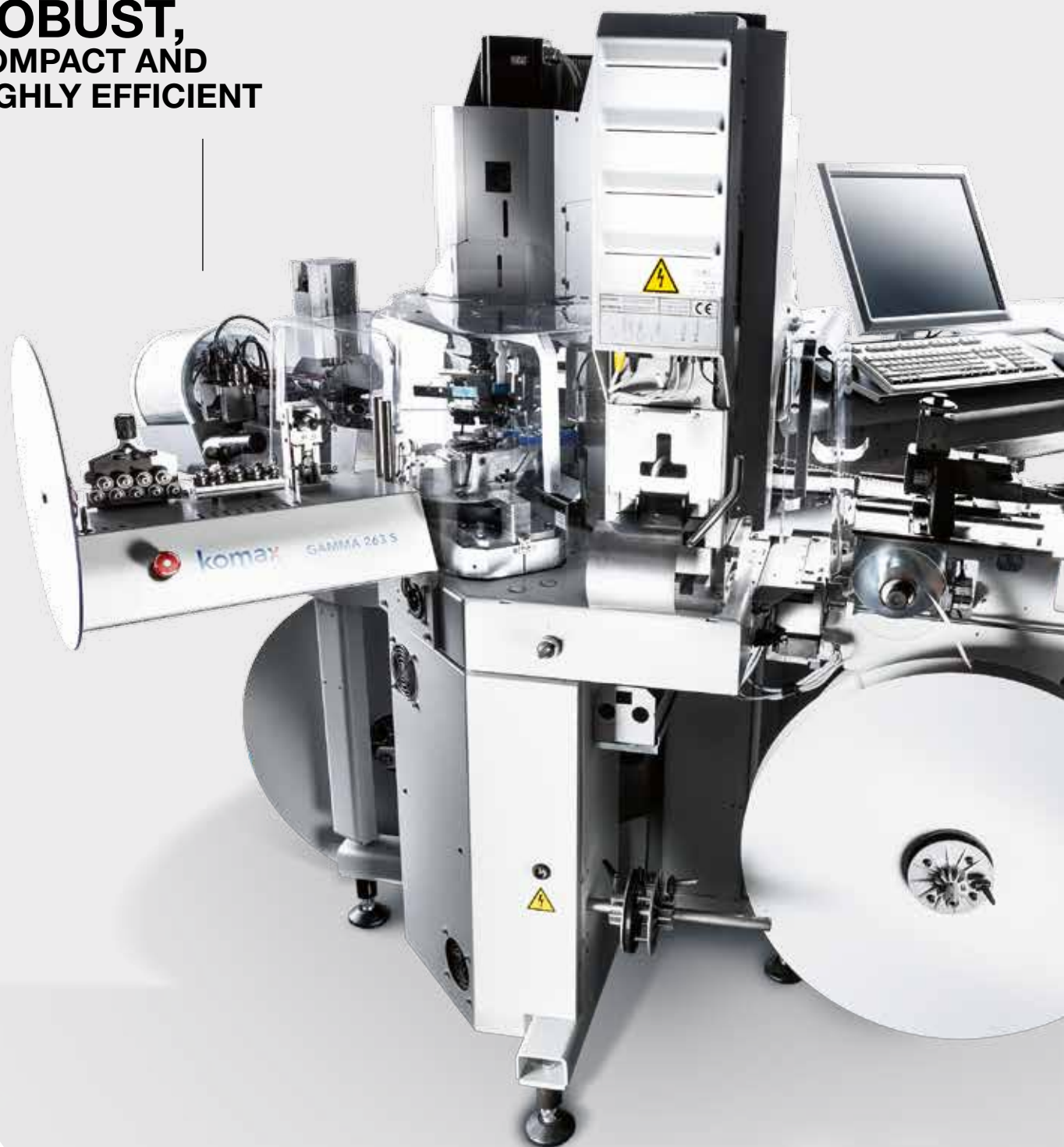
- Tried-and-tested mci 712, mci 722 and C1320 crimp modules
- Integrated Komax quality monitoring selectable as options
- Versatile mci 765 C seal module





FULLY DEVELOPED
TECHNOLOGY FOR MAXIMUM
PRODUCTIVITY

**ROBUST,
COMPACT AND
HIGHLY EFFICIENT**





Fast, durable, versatile

The Gamma 263 S is designed for one and two-sided crimping and for one-sided seal insertion. The cross section range extends from 0.13 mm² to 2.5 mm² ; 4 mm² is also available as an option. Sequential processing can be started fast and easily via TopWin user interface.

Gentle cable handling

The new belt drive plus the reliable swivel system with optional hold-up device and a stainless steel tipping tray enable the careful and best possible processing of your cable material.

Programmable servo drives

The entire cross section area is processed reliably with programmable, highly dynamic AC servo drives. A second integrated encoder ensures maximum length and repeat accuracy for stripping and wire length.

Compact, user friendly design

The Gamma 263 S is readily accessible from all sides. With the quick opening function for the cover, operators can access the processing modules with speed and ease at any time.

Sturdy and reliable

The Gamma 263 S withstands high temperatures and high relative humidity. The well-trie swivel system with linear lowering feature, the optional hold-up device and a sturdy belt drive ensure stable processing and boost accuracy. Tough encoders made of metal plus extra-strong dampers allow the machine to produce reliably 24 hours a day, seven days a week.

Economical thanks to ingenious system for wearing parts

A new system for wearing parts allows them to be changed in a reliable and uncomplicated way. In addition, the guide parts are reinforced with ceramic so they rarely have to be changed. Work proceeds with great efficiency thanks to the minimal downtime. The belt of the belt drive can be turned around and used for a longer period of time.

Proven crimping technology and quality systems

The tried-and-tested mci 712, mci 722 and C1370 crimp modules assure crimp connections of optimum quality. The reliable Komax quality monitoring systems such as crimp height measurement, pull-out force measurement, CFA/CFA+ crimp force analysis and the microscope can be seamlessly integrated. With the mci 765 C seal module, more than 300 different types of seals can be loaded.

01
Stable wire transport with the hold-up device.

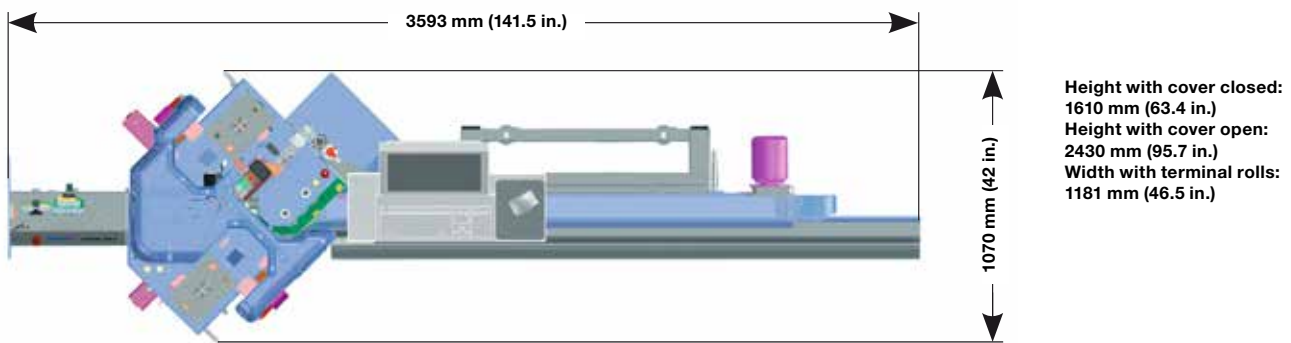
02
Reliable linear guidance on side 2.



01

02

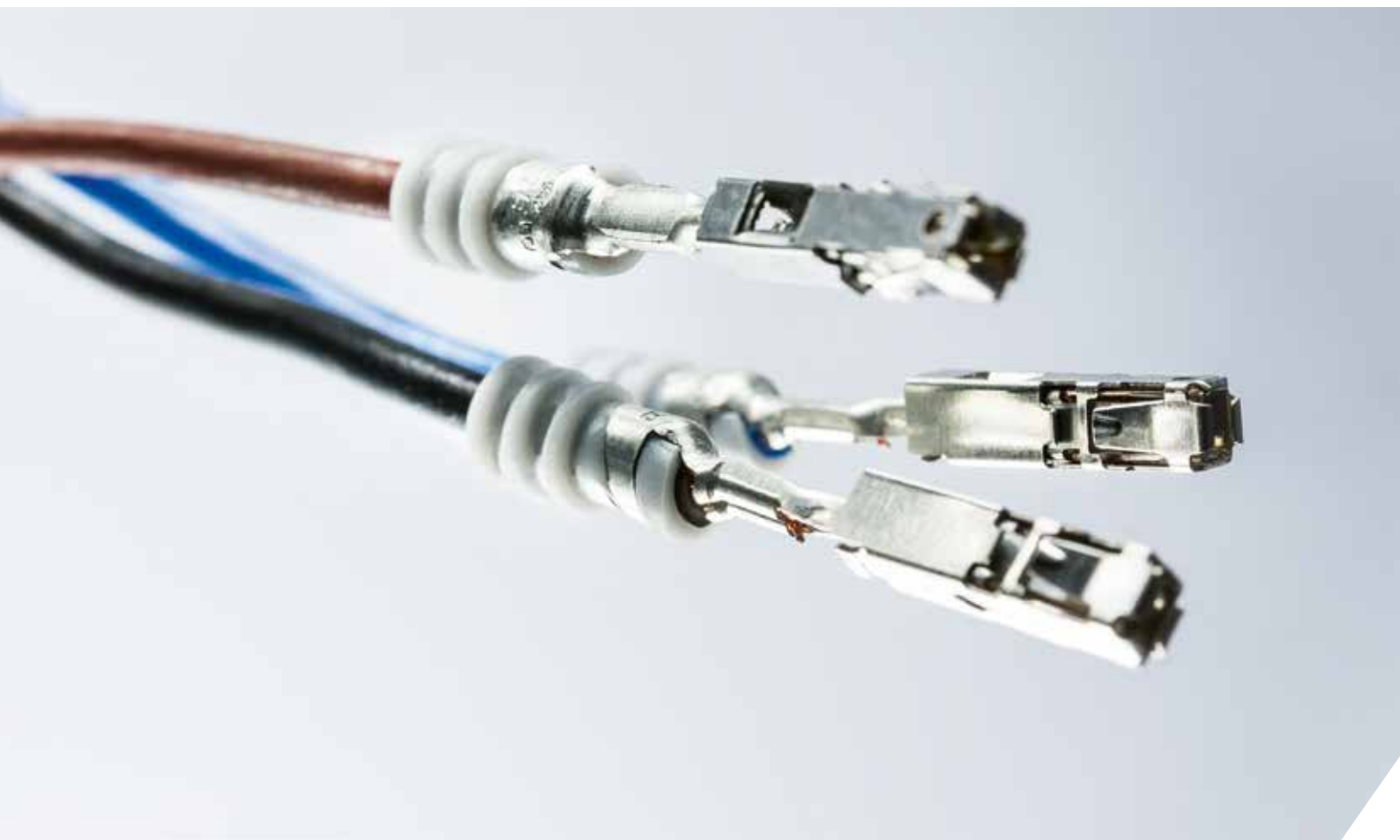
Machine layout



Technical data

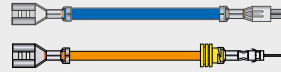
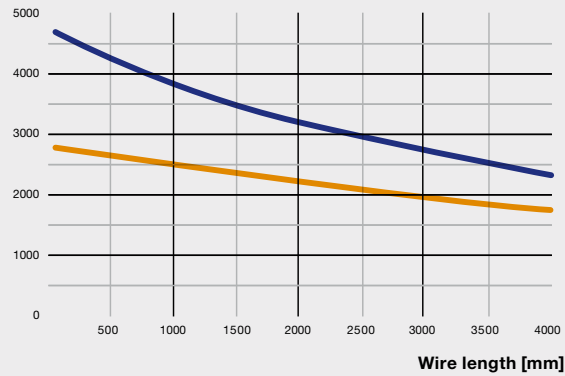
Length range	40 – 20000 mm (1.57 in. – 65.62 ft.) 20 – 20000 mm (0.8 in. – 65.62 ft.) with special grippers
Length accuracy	Repeat accuracy: ± (0.2% + 1.0 mm (0.04 in.))
Stripping lengths	Side 1: 0.1 – 20 mm, Side 2: 0.1 – 30 mm
Stripping lengths with partial pull-off	1 mm – 30 mm (0.04 in. – 1.18 in.)
Wire cross sections	0.13 mm ² – 2.5 mm ² * optional 4 mm ² (AWG26 – AWG13, optional AWG12)
Wire draw-in speed	maximum of 6 m/s (19.7 ft/s)
Noise level	<75 dB (without crimp module)
Electrical connection	3 × 208 – 400 V / 50 – 60 Hz; 2500 VA
Compressed-air connection • Air consumption	5–8 bar (73–116 psi) • 5.8 m ³ /h (204.8 ft ³ /h)
Weight	720 kg

*Depends on wire material



Reference values for piece outputs*

Piece number [pcs/h]



Conductor	FLRY 0.50mm² (AWG18)
Pneumatic pressure	6bar (87psi)
Speed	100%
Acceleration	100%
Crimp modules	mci 712
Crimp force analysis	active
Seal module	mci 765 C
Seal position monitoring	active

* Information is subject to change and depends on the materials being processed

Processing examples

Cutting to length		Split cycle for closed barrels	
Half stripping		Double sheath cable	
Full stripping		Cutting pulled strands / precision cutting	
Crimping		Hot-stamp marking	
Seal insertion		Inkjet marking	

Options and accessories

Prefeeders	With belt and roller drive
Marking systems	Komax 26 hot stamp marker • Komax IMS inkjet marking systems
Wire feed	Belt drive
Process modules	mci 712 crimp module • mci 722 crimp module (with programmable crimp height) • C1320 crimp module • mci 765 C seal module (with SPM seal position monitoring)
Quality control	Integrated crimp height measurement • Integrated pull-out force measurement • Microscope • CFA/CFA+ crimp force analysis • Cable length correction • Splice detection • MicroForce 70 crimp force monitoring
Deposit systems	Basic module 2 m (78.7 in.) or 4 m (157.5 in.) • Extension module 2 m (78.7 in.) or 4 m (157.5 in.) • Automatic batch separation
Accessories	Barcode scanner • Quick-action tool changing system • Tower light • Magnifying glass • UPS • Deposit table • Measuring tape
Software	WPCS networking interface • TopConvert data conversion • Komax MES

Komax – leading the field now and in the future

As a pioneer and market leader in the field of automated wire processing, Komax provides its customers with innovative and sustainable solutions for any situation that calls for precise contact connections. Komax manufactures series and customer-specific machinery for various industries, catering for every degree of automation and customization. Its range of quality tools, test systems, and intelligent networking solutions complete the portfolio, and ensure safe and efficient production. Komax is a globally active Swiss company with development and production facilities on several continents. It supports customers locally in more than 60 countries with its extensive distribution and service network, ensuring the availability and value of their investments after equipment commissioning through standardized service processes. Komax includes more than 30 companies worldwide and employs around 1700 members of staff.

40
YEARS
CUTTING
EDGE



Market segments

Komax offers outstanding competence and solutions for various areas of application and draws on them to generate the desired value-added for the entire process and optimize economic efficiency in line with customer requirements. The main markets of Komax are as follows: automotive, aerospace, industrial and telecom & datacom. With this breadth of experience, customers obtain expert knowledge for process optimization and access to the latest technologies.

Komax AG
Industriestrasse 6
CH-6036 Dierikon
Phone +41 41 455 04 55
Fax +41 41 450 15 79

komax
komaxgroup.com